

FIBERGLASS JUNCTION ENCLOSURES

Application

Designed for indoor or outdoor use to house electronic controls, instruments and components in areas that may be regularly hosed down, are in very wet conditions, or are exposed to corrosive agents. Provides protection from dust, dirt, oil and water.

Construction

- Fiberglass reinforced compression molded polyester.
- Pour in place oil and water resistant gasket.
- Mounting strips molded in.
- Captive screw fasteners.
- Integral panel mounting inserts.
- Stainless steel continuous hinge.

Finish

Light gray fiberglass. optional subpanels are marine grade aluminum.

IS6 Industry Standards

NEMA Type 3R, 4, 4X, 12 & Type 13
UL Listed Type 3R, 4, 4X & 12
CSA Type 3R, 4, 4X & 12
IEC 60529 IP66

***To maintain Type 3R listing, drainage is required. Install equally rated drainage device or drill a 1/8 to 1/4 inch hole in the bottom center of the enclosure, approximately 1 inch from the right, and 1 inch from the left for drainage, use listed rain-tight or wet location hubs. Drip shield over the door is recommended for all outdoor applications.



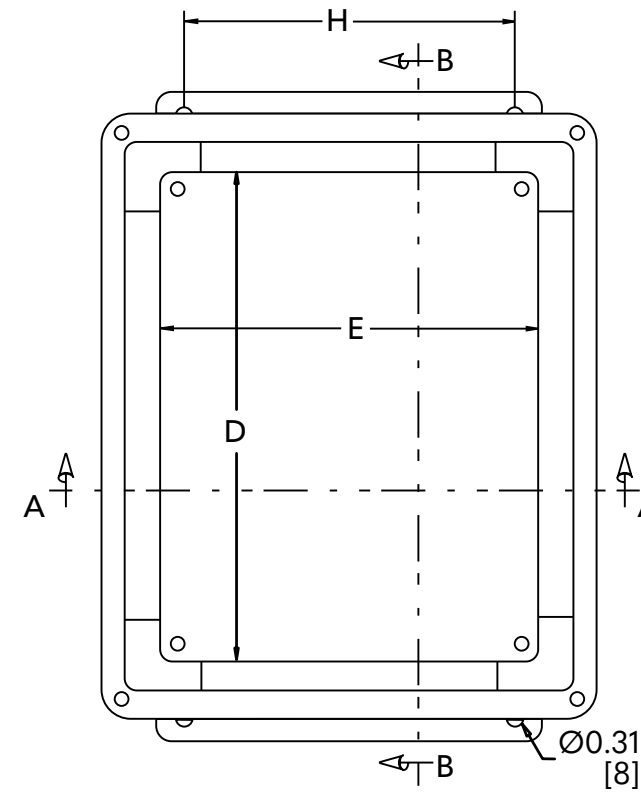
Enclosure Product Code F1

Catalog No.	Height (A)	Width (B)	Depth (C)	Mounting (G)	Mounting (H)	Interior (J)	Interior (K)	Interior (L)	Industry Standard
SCE-6045CHQRFQ	7.39	5.43	4.73	6.75	2.00	5.84	3.85	4.00	IS6
SCE-6065CHQRFQ	7.53	7.53	4.72	6.75	4.00	5.72	5.72	4.00	IS6
SCE-8065CHQRFQ	9.52	7.52	4.71	8.88	4.00	7.73	5.74	4.00	IS6
SCE-808CHQRFQ	9.38	9.38	4.88	8.75	6.00	7.73	7.73	4.06	IS6
SCE-10085CHQRFQ	11.35	9.41	4.25	10.75	6.00	9.73	7.73	3.50	IS6
SCE-12105CHQRFQ	13.41	11.43	5.21	12.75	8.00	11.79	9.80	4.50	IS6
SCE-1212CHQRFQ	13.38	13.38	6.34	12.75	10.00	11.70	11.70	5.53	IS6
SCE-14087CHQRFQ	15.75	8.75	6.81	15.00	5.00	14.00	7.00	6.12	IS6
SCE-14127CHQRFQ	15.48	13.48	6.21	14.62	10.00	13.53	11.55	5.37	IS6
SCE-16147CHQRFQ	17.46	15.46	6.23	16.75	12.00	15.63	13.60	5.36	IS6
SCE-18169CHQRFQ	19.61	17.61	8.82	18.88	12.00	17.69	15.69	7.99	IS6
SCE-2016CHQRFQ	21.68	17.68	8.84	21.25	10.00	19.72	15.72	8.00	IS6
SCE-202011CHQRFQ	22.10	22.12	11.71	21.87	18.30	19.88	19.88	10.57	IS6
SCE-242011CHQRFQ	26.12	22.12	11.71	25.87	13.30	23.88	19.88	10.58	IS6
SCE-242411CHQRFQ	26.12	26.12	11.71	25.87	22.00	23.88	23.88	10.56	IS6
SCE-243012CHQRFQ	26.19	32.19	12.29	20.49	31.93	23.60	29.85	11.01	IS6
SCE-302412CHQRFQ	32.19	26.19	12.29	31.93	20.49	29.85	23.85	11.05	IS6

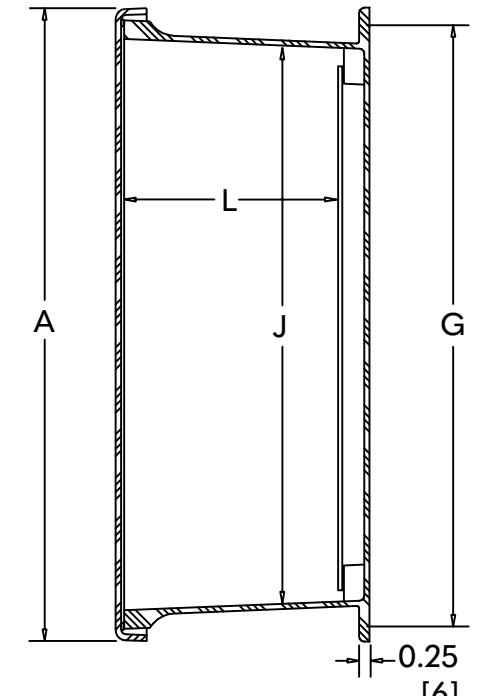
Subpanel (F2)

Catalog No.	Material	Panel Height (D)	Panel Width (E)
SCE-6P4AL	Aluminum	5.00	3.00
SCE-6P6AL	Aluminum	5.00	5.00
SCE-8P6AL	Aluminum	7.00	5.00
SCE-8P8AL	Aluminum	7.00	7.00
SCE-10P8AL	Aluminum	9.00	7.00
SCE-12P10AL	Aluminum	11.00	9.00
SCE-12P12AL	Aluminum	11.00	11.00
SCE-14P8AL	Aluminum	13.00	7.00
SCE-14P12AL	Aluminum	13.00	11.00
SCE-16P14AL	Aluminum	15.00	13.00
SCE-18P16AL	Aluminum	16.88	14.88
SCE-20PJ16AL	Aluminum	18.88	14.88
SCE-20PFG20AL	Aluminum	18.00	18.00
SCE-24PFG20AL	Aluminum	22.00	18.00
SCE-24PFG24AL	Aluminum	22.00	22.00
SCE-30P30AL	Aluminum	27.00	27.00
SCE-36P24AL	Aluminum	33.00	21.00

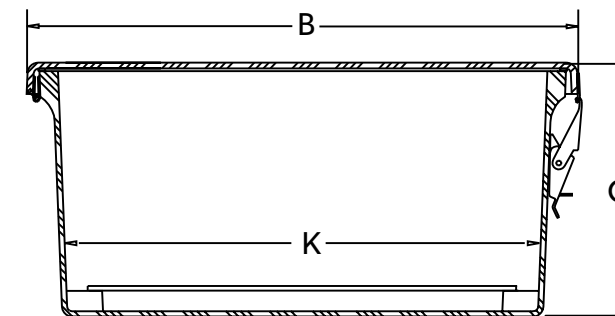
FIBERGLASS JUNCTION ENCLOSURES TECHNICAL DATA



FRONT VIEW WITH COVER REMOVED



SECTION B-B [6]



SECTION A-A